

Masport[®] Heating

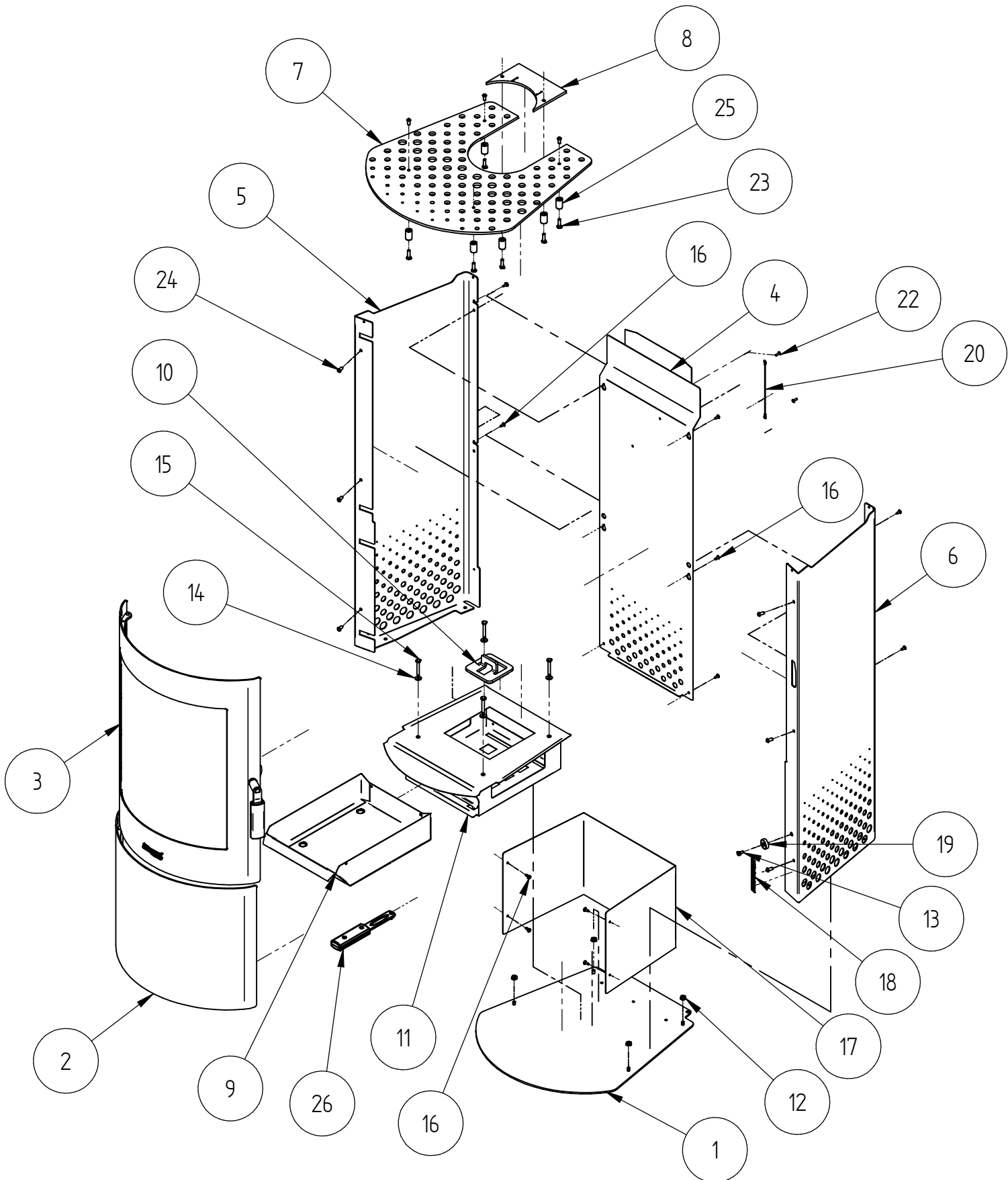
FREESTANDING WOOD FIRES

AKAROA - NEW ZEALAND

Item No.	MARKET	FUEL TYPE	FINISHING	YEAR	FAN
981901	NZ	SOFTWOOD	Metallic Black VHT Paint	MARCH - 2017	No



PANELS, DOORS, TOP AND FOOT



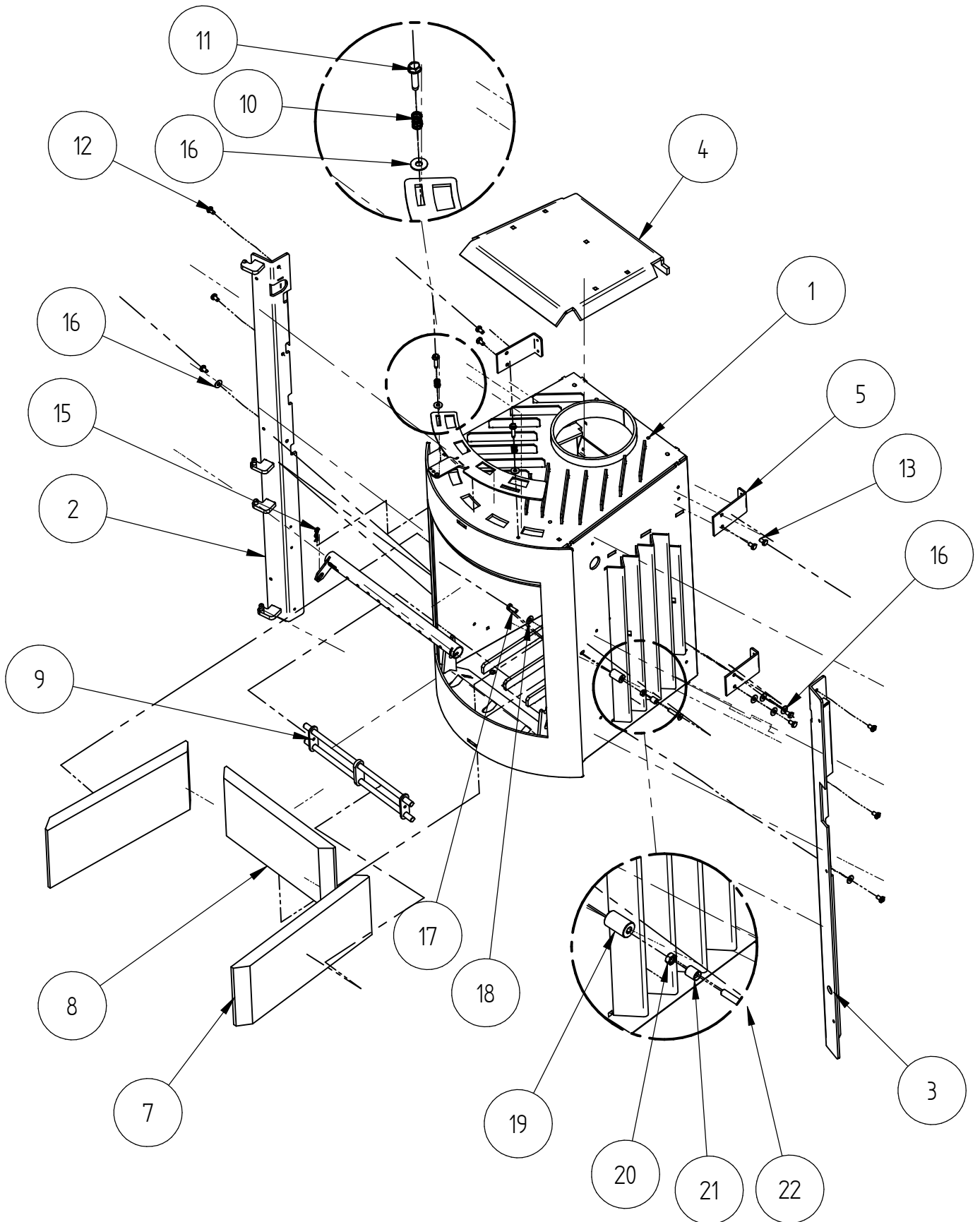
When ordering PLEASE QUOTE PART ID, MODEL Number & DESCRIPTIONS, NOT ITEM Number
determining left hand side from viewing position

PANELS, DOORS, TOP AND FOOT				
Item	Part ID	Model(s)	Description	Qty
		981901		
1	981043	P08	AKAROA FOOT SUB ASSY BLK MANNEX X5	1
2	981005	V02	AKAROA, LOWER DOOR ASSEMBLY	1
3	981002	-	AKAROA, UPPER DOOR ASSEMBLY	1
4*	981267	V02	AKAROA ADENA REAR PANEL ASSY BK VHT	1
5	981040	V02	AKAROA SIDE PANEL LH	1
6	981041	V02	AKAROA SIDE PANEL RH	1
7	981089	V02	AKAROA, COOK TOP PANEL	1
8	981092	V02	AKAROA, TOP PANEL REAR FIXTURE	1
9	981077	V02	AKAROA, ASH BOX ASSEMBLY	1
10	983019	V02	ASH PLUG SHEET METAL	1
11	981090	V02	AKAROA, ASH TRAY CARRIER SUB-ASSY	1
12	522801	-	NUT, SERRATED FLANGE M6 ZP	4
13	521801	-	SCREW, CAP M5X10 ALLEN BLK	1
14	523007	-	WASHER, FLAT 1/4"X5/8"X18G ZP	4
15	521077	-	SCREW, M6X40 HEX ZP	4
16	521645	-	SCREW, S/T 8GX1/2" MUSH FLANGE POZI BLK	14
17	981044	P08	AKAROA BOTTOM SHIELD BLK MANNEX X5	1
18	595695	-	DECAL "BURN ONLY" COMBINED NZ/AUS	1
19	581144	-	MAGNET 25MM X 7MM	1
20	588360	-	WIRE STRAP 150MM COMPL PLATE	1
21	581118	-	AKAROA, COMPLIANCE PLATE	1
22	524006	-	RIVET, 73 AS 5-5	2
23	521054	-	SCREW, M6X20 HEX ZP	6
24	521810	-	SCREW, CAP M6X12 BUTTON ALLEN BLK	12
25	581142	-	AKAROA, 25MM SPACER BUSH	6
26	981195	-	AKAROA, AIRSLIDE TOOL ASSEMBLY	1

* ADDITIONAL SHIELD WAS ADDED TO REAR PANEL - JULY 2018 ONWARD.

When ordering PLEASE QUOTE PART ID, MODEL Number & DESCRIPTIONS, NOT ITEM Number
determining left hand side from viewing position

AIRSLIDE, BAFFLE, BRICKS AND FIREBOX

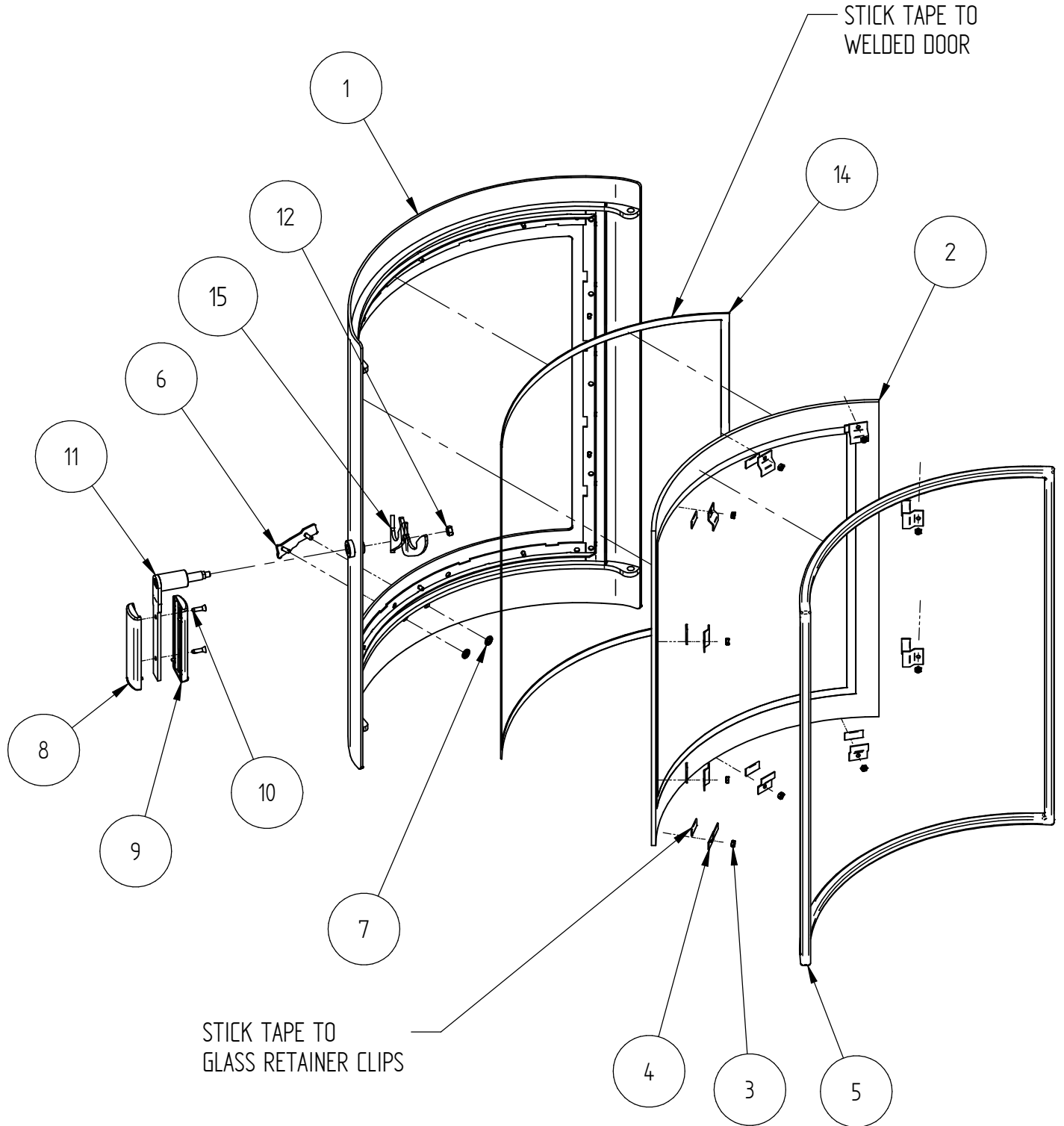


When ordering PLEASE QUOTE PART ID, MODEL Number & DESCRIPTIONS, NOT ITEM Number
determining left hand side from viewing position

AIRSLIDE, BAFFLE, BRICKS AND FIREBOX				
Item	Part ID	Model(s)	Description	Qty
		981901		
1	981001	-	AKAROA, FIRE BOX ASSEMBLY	1
2	981127	V02	AKAROA, LH DOOR HINGE BRACKET SUB-ASSY	1
3	981172	V02	AKAROA, RH DOOR HINGE BRACKET SUB-ASSY	1
4	981004	-	AKAROA, BAFFLE ASSEMBLY	1
5	981025	-	AKAROA, SIDE PANEL BRACKET REAR	4
6	981027	NICKEL PLATE	AKAROA, AIRSLIDE NZ	1
7	581060	-	AKAROA, SIDE BRICK	2
8	581061	-	AKAROA, REAR BRICK	1
9	981166	V02	AKAROA, GRILL SET SUB-ASSY	1
10	585223	-	SPRING - COMPRESSION AIR INLET	2
11	521633	-	SCREW, S/T M6X25 HEX FLANGE TAPTITE	2
12	521045	-	SCREW, M6X10 PAN POZI BLK	6
13	521043	-	SCREW, M6X10 HEX ZP	8
14	981110	-	AKARPA, AIR TUBE ASSEMBLY	1
15	526101	-	CLIP, R-CLIP 1.8 DIA ST	1
16	523007	-	WASHER, FLAT 1/4"X5/8"X18G ZP	12
17	521052	-	SCREW, M6X16 HEX BLK	1
18	523036	-	WASHER, FLAT 1/4"X5/8" BLK	1
19	581142	-	AKAROA, 25MM SPAVER BUSH	1
20	522107	-	NUT, HEX STD M6 BLK	1
21	ATN00079	-	ATN DOOR CATCH PIN	1
22	521828	-	SCREW, CAP M6X30 CSK ALLEN BLK	1

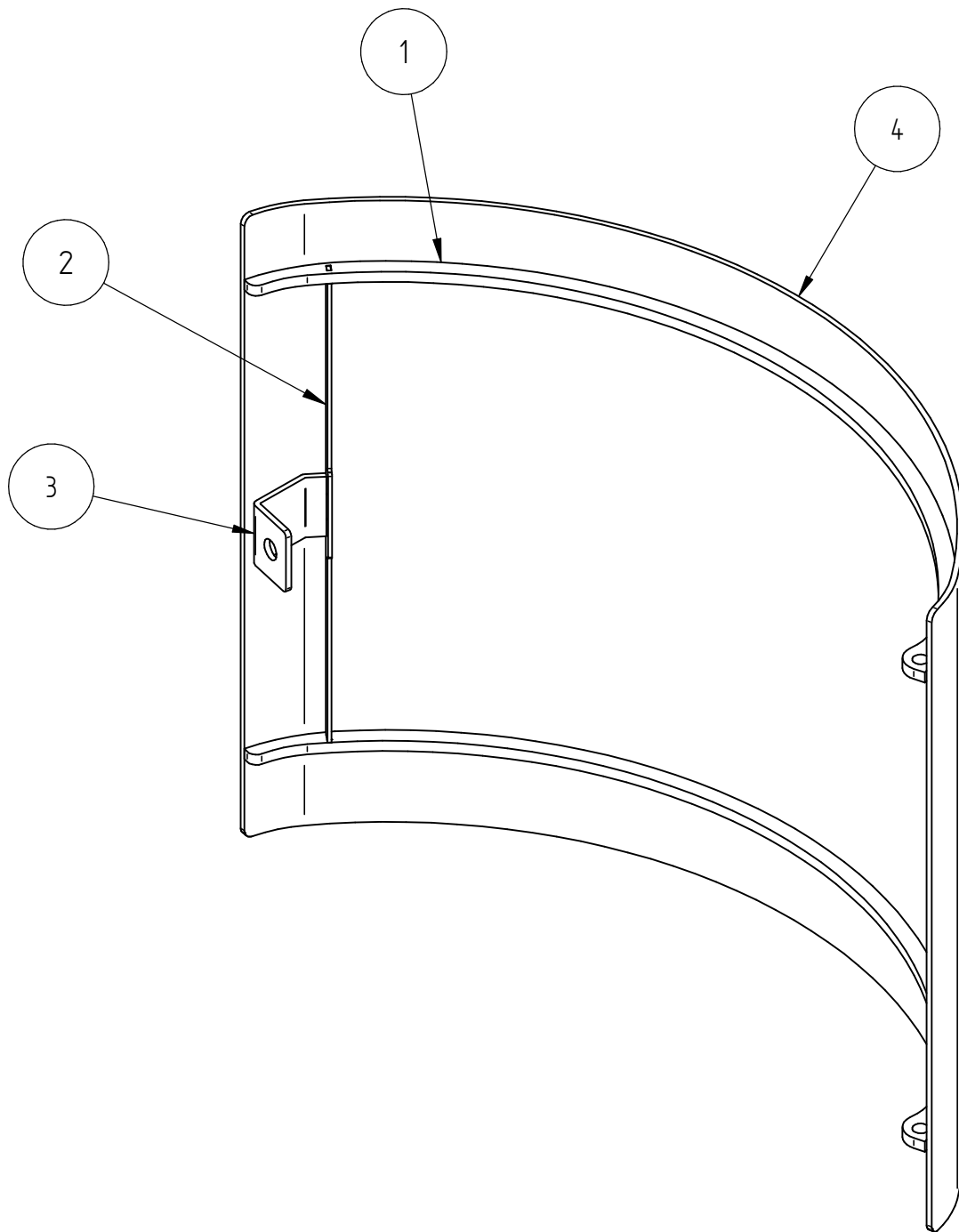
When ordering PLEASE QUOTE PART ID, MODEL Number & DESCRIPTIONS, NOT ITEM Number
determining left hand side from viewing position

UPPER DOOR ASSEMBLY



When ordering PLEASE QUOTE PART ID, MODEL Number & DESCRIPTIONS, NOT ITEM Number
determining left hand side from viewing position

LOWER DOOR ASSEMBLY



When ordering PLEASE QUOTE PART ID, MODEL Number & DESCRIPTIONS, NOT ITEM Number
determining left hand side from viewing position

UPPER DOOR ASSEMBLY : 981002				
Item	Part ID	Model(s)	Description	Qty
		981901		
1	981003	V02	AKAROA, UPPER DOOR WELDED SUB-ASSY	1
2	581050	-	AKAROA, DOOR GLASS	1
3	522104	-	NUT, HEX STD M4 ZP	10
4	981059	-	GLASS RETAIN CLIP (WITH GLASS TAPE)	10
5	C13MMDR	-	DOOR ROPE 13MM	2 METER
6	581148	-	MASPORT HEATING BADGE	1
7	526009	-	CLIP, STARLOCK M4	2
8	593598	-	DOOR HANDLE FRONT RH PLASTIC	1
9	593599	-	DOOR HANDLE REAR LH PLASTIC	1
10	521650	-	SCREW, 8GX5/8" S/S TYPE 25 C/S POZI	2
11	981132	-	AKAROA, DOOR SPINDLE SUB-ASSY	1
12	522107	-	NUT, HEX STD M6 BLK	1
13	981059	-	GLASS FIBRE TAPE - 10X3X50	10
14	C10MMGT	-	GLASS FIBRE TAPE	1.8 METER
15	981169	-	AKAROA, DOOR LATCH	1

LOWER DOOR ASSEMBLY : 981005				
Item	Part ID	Model(s)	Description	Qty
		981901		
1	981053	-	ROPE RETAINER OUTER HORI TOP	2
2	981067	-	LOWER DOOR VERT STIFFENER	2
3	981069	-	LOWER DOOR LATCH	1
4	981047	-	AKAROA, DOOR PANEL BOTTOM	1

When ordering PLEASE QUOTE PART ID, MODEL Number & DESCRIPTIONS, NOT ITEM Number
determining left hand side from viewing position

NOT ILLUSTRATED				
Item	Part ID	Model(s)	Descriptions	Qty
		981117		
1	593286	-	OWNER MANUAL WOODFIRES 2010	1
2	593287	-	INSTALL MANUAL WOODFIRES 2010	1
3	981195	-	AKAROA, AIRSLIDE TOOL ASSEMBLY	1
4	581120	-	AKAROA & AKAROA WS, SW DATA SHEET	1
5	581119	-	AKAROA, BRICK LAYOUT	1

SURFACE FINISH CODES FOR PANELS				
VHT PAINT(Very High Temp)			POWDER COAT	
V02	P-000022	METALLIC BLACK	P02	MATT BLACK
			P08	MANNEX X5 BLACK

When ordering PLEASE QUOTE PART ID, MODEL Number & DESCRIPTIONS, NOT ITEM Number
determining left hand side from viewing position